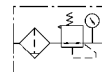


## CAW1000 ~ 5000 系列过滤减压阀

CAW1000~5000 Series Filter & Regulator



### 图形符号 | Graphic Symbol



### 订购码 | Ordering Code

**CA**

系列代码  
CA 系列  
Series Code  
CA Series

**W**

功能代号  
过滤减压阀  
Function Code  
Filter & Regulator

**4000**

规格代号  
Specification Code  
1000 2000 2500  
3000 4000 5000

-

**04**

接管口径  
Joint Pipe Bore  
M5: M5 X 0.8 01: G1/8" 02: G1/4"  
03: G3/8" 04: G1/2" 06: G3/4"  
10: G1"

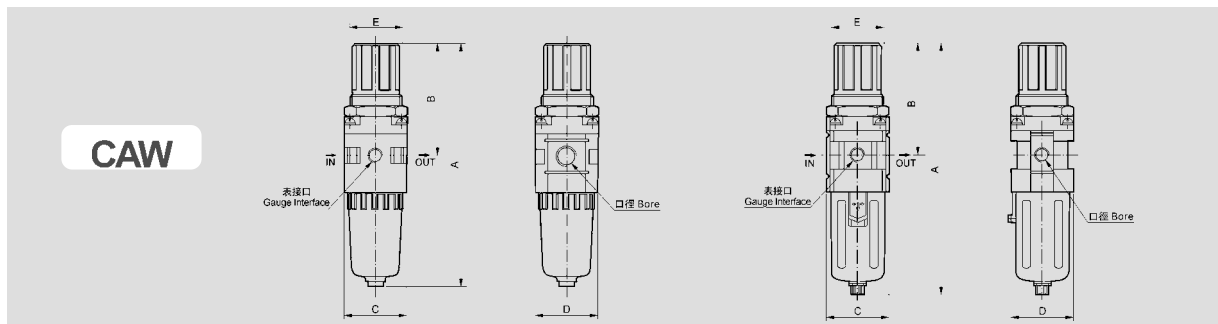
**D**

排水方式  
Drian Type  
空白: 差压排水 Blank: Differential Drain  
D: 自动排水 Automatic Drain

### 规格 | Specification

| 型号 Model                            | CAW1000-M5              | CAW2000-01 | CAW2000-02   | CAW3000-02 | CAW3000-03                                    | CAW4000-03 | CAW4000-04 | CAW4000-06 | CAW5000-06 | CAW5000-10 |
|-------------------------------------|-------------------------|------------|--------------|------------|---|------------|------------|------------|------------|------------|
| 额定流量 Rated Flow                     | 100                     | 550        | 550          | 2000       | 2000  | 4000       | 4000       | 4500       | 5500       | 5500       |
| 接管口径 Joint Pipe Bore                | M5                      | 1/8        | 1/4          | 1/4        | 3/8   | 1/2        | 3/4        | 3/4        | 3/4        | 1          |
| 过滤精度 Filter Precision               | 25 μm                   |            |              |            |   |            |            |            |            |            |
| 最高使用压力 Highest Working Pressure     | 1.0MPa                  |            |              |            |   |            |            |            |            |            |
| 保证耐压力 Ensured Pressure Resistance   | 1.5MPa                  |            |              |            |   |            |            |            |            |            |
| 使用温度范围 Operating Temperature Range  | 5~60℃                   |            |              |            |   |            |            |            |            |            |
| 调节压力范围 Range of Adjustable Pressure | 0.05~0.7MPa             |            | 0.05~0.85MPa |            |   |            |            |            |            |            |
| 容器材料 Container Material             | 聚碳酸酯 Polycarbonate      |            |              |            |   |            |            |            |            |            |
| 防护罩 Protective Cover                | 无 Not Available         |            |              |            | 有 Available                                   |            |            |            |            |            |
| 放水器功能 Drain Function                | 差压放水 Differential Drain |            |              |            | 差压放水、自动放水 Differential Drain, Automatic Drain |            |            |            |            |            |
| 阀型 Valve Type                       | 带溢流型 With Overflow      |            |              |            |   |            |            |            |            |            |

### 外形尺寸 | Overall Dimension



### 尺寸表 | Dimension Sheet

| 型号 Model | 口径 Bore | A     | B    | C  | D  | E  | 型号 Model   | 口径 Bore | A   | B   | C  | D  | E  |
|----------|---------|-------|------|----|----|----|------------|---------|-----|-----|----|----|----|
| CAW1000  | M5      | 109.5 | 50.5 | 25 | 28 | 28 | CAW4000    | 3/8~1/2 | 252 | 112 | 70 | 70 | 54 |
| CAW2000  | 1/8~1/4 | 164.5 | 78   | 40 | 40 | 34 | CAW4000-06 | 3/4     | 257 | 114 | 70 | 70 | 54 |
| CAW3000  | 1/4~3/8 | 211   | 92.5 | 53 | 53 | 40 | CAW5000    | 3/4~1   | 338 | 116 | 90 | 90 | 54 |