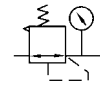


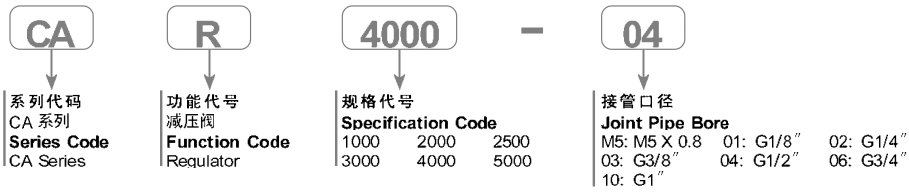
CAR1000 ~ 5000 系列减压阀
CAR1000~5000 Series Regulator



图形符号 | Graphic Symbol



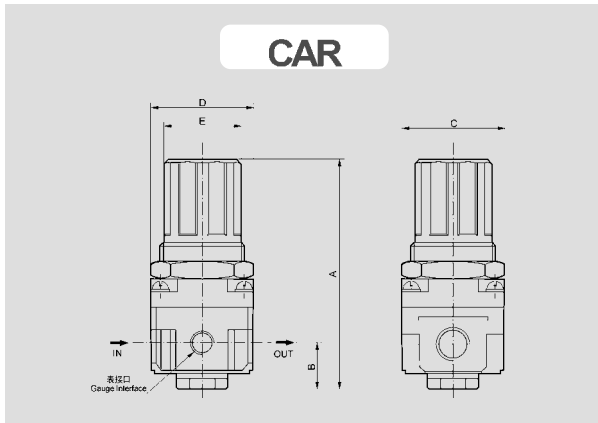
订购码 | Ordering Code



规格 | Specification

型号 Model	CAR1000	CAR2000	CAR2000	CAR2500	CAR2500	CAR3000	CAR3000	CAR4000	CAR4000	CAR4000	CAR5000	CAR5000
额定流量 Rated Flow	100	550	550	2000	2000	2500	2500	6000	6000	6000	8000	8000
接管口径 Joint Pipe Bore	M5	1/8	1/4	1/4	3/8	1/4	3/8	3/8	1/2	3/4	3/4	1
最高使用压力 Highest Working Pressure	1.0MPa											
保证耐压力 Ensured Pressure Resistance	1.5MPa											
使用温度范围 Operating Temperature Range	5~60℃											
调节压力范围 Range of Adjustable Pressure	0.05~0.7MPa											
阀型 Valve Type	带溢流型 With Overflow											

外形尺寸 | Overall Dimension



尺寸表 | Dimension Sheet

型号 Model	口径 Bore	A	B	C	D	E
CAR1000	M5	61.5	11	25	25	28
CAR2000	1/8~1/4	95	17	40	40	34
CAR2500	1/4~3/8	102.5	25	48	53	34
CAR3000	1/4~3/8	127.5	35	53	53	40
CAR4000	3/8~1/2	149.5	37.5	70	70	54
CAR4000-06	3/4	154	40.5	70	75	54
CAR5000	3/4~1	168	48	90	90	54