

**梭阀**  
Shuttle Valve



订购码 | Ordering Code

图形符号 | Graphic Symbol

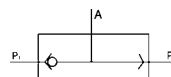
**ST**

规格代码  
ST: 梭阀  
Specification Code  
ST: Shuttle Valve

-

**01**

接管口径  
Joint Pipe Bore  
01: G1/8" 04: G1/2"  
02: G1/4" 06: G3/4"  
03: G3/8" 08: G1"

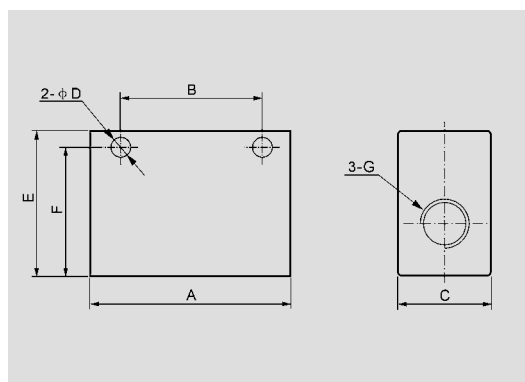


规格 | Specification

| 型号<br>Model                       | ST-01              | ST-02             | ST-03             | ST-04             | ST-06              | ST-08              |
|-----------------------------------|--------------------|-------------------|-------------------|-------------------|--------------------|--------------------|
| 工作介质<br>Working Medium            | 空气 Air             |                   |                   |                   |                    |                    |
| 有效截面积<br>Effective Sectional Area | 7.5mm <sup>2</sup> | 21mm <sup>2</sup> | 40mm <sup>2</sup> | 60mm <sup>2</sup> | 110mm <sup>2</sup> | 190mm <sup>2</sup> |
| 接管口径<br>Joint Pipe Bore           | G1/8"              | G1/4"             | G3/8"             | G1/2"             | G3/4"              | G1"                |
| 使用压力范围<br>Working-pressure Range  | 0~1.0MPa           |                   |                   |                   |                    |                    |
| 使用温度范围<br>Operating Temperature   | 0~60℃              |                   |                   |                   |                    |                    |

外形尺寸 | Overall Dimension

尺寸表 | Dimension Sheet



| 型号<br>Model | A   | B  | C  | D   | E  | F    | G     |
|-------------|-----|----|----|-----|----|------|-------|
| ST-01       | 40  | 24 | 16 | 4.5 | 25 | 20.5 | G1/8" |
| ST-02       | 50  | 35 | 22 | 5.5 | 35 | 25   | G1/4" |
| ST-03       | 75  | 48 | 30 | 7   | 50 | 42   | G3/8" |
| ST-04       | 75  | 48 | 30 | 7   | 50 | 42   | G1/2" |
| ST-06       | 110 | 72 | 40 | 7   | 70 | 58   | G3/4" |
| ST-08       | 110 | 72 | 40 | 7   | 70 | 58   | G1"   |