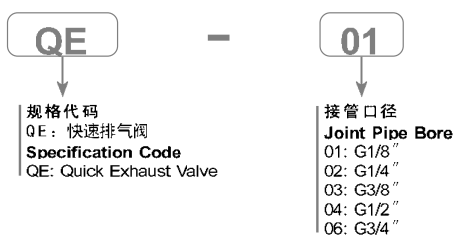


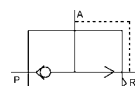
**快速排气阀**  
Quick Exhaust Valve



订购码 | Ordering Code



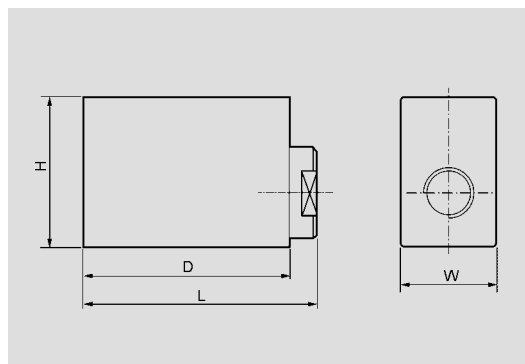
图形符号 | Graphic Symbol



规格 | Specification

型号 Model	QE-01	QE-02	QE-03	QE-04	QE-06
工作介质 Working Medium	空气 Air				
有效截面积 Effective Sectional Area	16mm <sup>2</sup>	27.5mm <sup>2</sup>	28mm <sup>2</sup>	71mm <sup>2</sup>	72.5mm <sup>2</sup>
接管口径 Joint Pipe Bore	G1/8"	G1/4"	G3/8"	G1/2"	G3/4"
使用压力范围 Working-pressure Range	0-0.8MPa				
使用温度范围 Operating Temperature	0-60℃				

外形尺寸 | Overall Dimension



尺寸表 | Dimension Sheet

型号 Model	口径 Bore	L	W	H	D
QE-01	G1/8	39	18	27	35
QE-02	G1/4	54	28	36	50
QE-03	G3/8	54	28	36	50
QE-04	G1/2	66	28	36	50