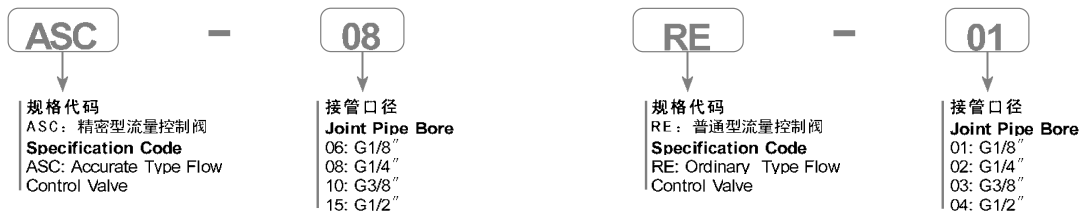


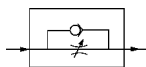
流量控制阀
Flow Control Valve



订购码 | Ordering Code



图形符号 | Graphic Symbol



规格 | Specification

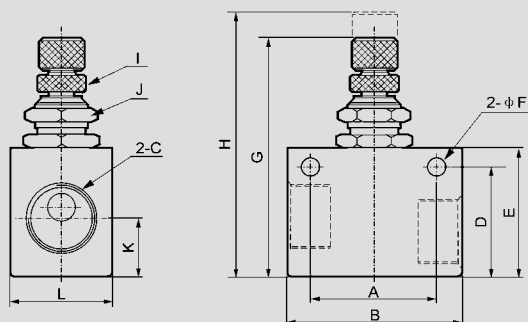
型号 Model	精密型 Accurate Type				普通型 Ordinary Type			
	ASC-06	ASC-08	ASC-10	ASC-15	RE-01	RE-02	RE-03	RE-04
工作介质 Working Medium	G1/8"	G1/4"	G3/8"	G1/2"	G1/8"	G1/4"	G3/8"	G1/2"
接管口径 Joint Pipe Bore	空气 Air							
使用压力范围 Working-pressure Range	0-0.95MPa							
使用温度范围 Operating Temperature	0-60℃							

流量控制阀

Flow Control Valve

外形尺寸 | Overall Dimension

ASC Series

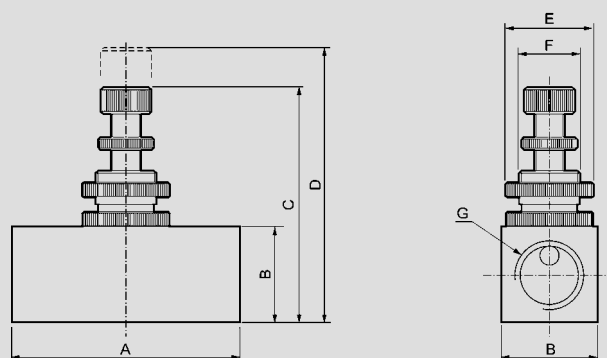


尺寸表 | Dimension Sheet

型号 / 符号 Model / symbol	A	B	C	D	E	F	G	H	I	J	K	L
ASC-06	22	32	G1/8	22	27	4.3	49.7	56.5	M6 × 0.5	M12 × 0.75	12	18
ASC-08	26	36	G1/4	22	27	4.3	49.7	56.5	M6 × 0.5	M12 × 0.75	12	18
ASC-10	28	40	G3/8	25	30	4.3	52.7	59.5	M6 × 0.5	M12 × 0.75	13	22
ASC-15	28	40	G1/2	30	35	4.3	58.7	65.5	M6 × 0.5	M12 × 0.75	13.5	26

外形尺寸 | Overall Dimension

RE Series



尺寸表 | Dimension Sheet

型号 / 符号 Model / symbol	A	B	C	D	E	F	G
RE-01	45	19	43	50	φ 19	M14 × 1	G1/8
RE-02	45	19	43	50	φ 19	M14 × 1	G1/4
RE-03	55	25	55	62	φ 25	M18 × 1	G3/8
RE-04	55	25	55	62	φ 25	M18 × 1	G1/2