

机械阀

Mechanical Valve



订购码 | Ordering Code

MSV

规格代码
机械阀
Specification Code
Mechanical Valve

86

系列代号
86 系列
98 系列
Series Code
86 Series
98 Series

32

位通数
32: 二位三通
52: 二位五通
Position and Way NO.
32: Two-position Three-way
52: Two-position Five-way

1

接口口径
Joint Pipe Bore
1: G1/8"
2: G1/4"

R

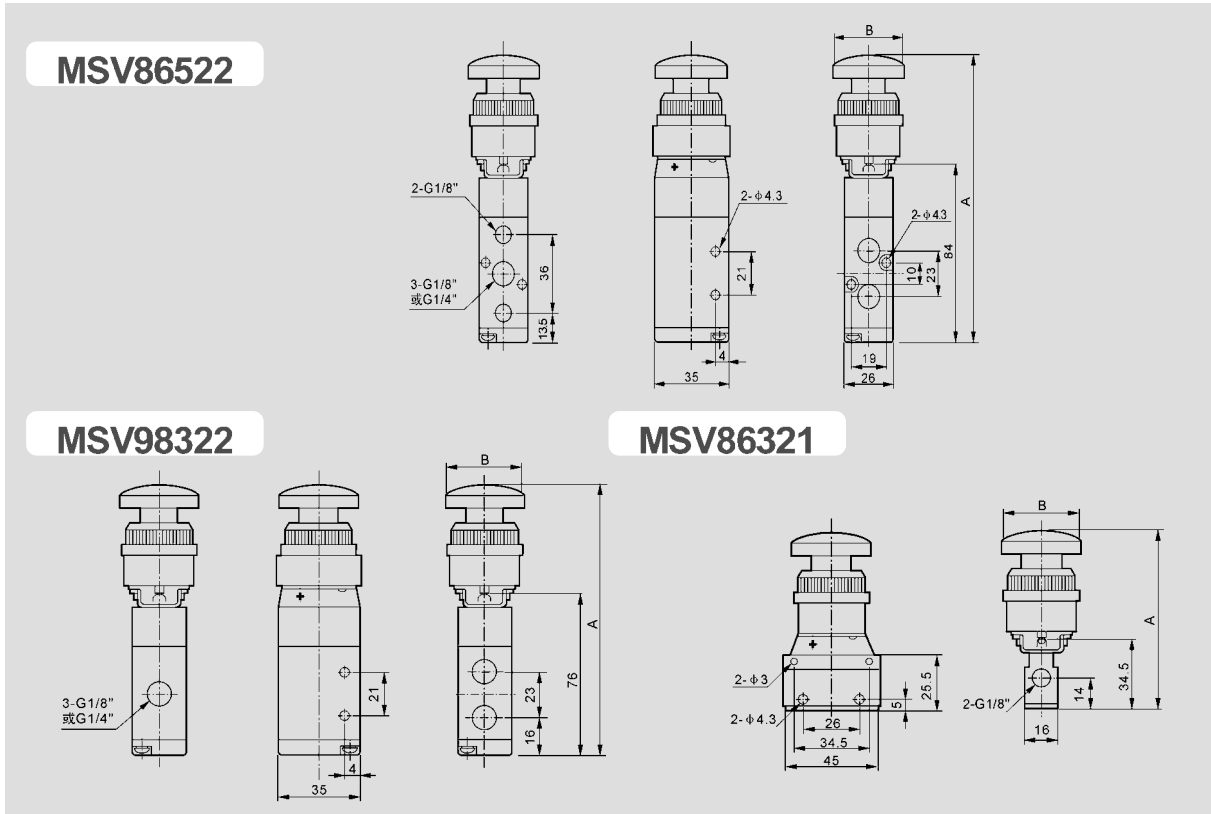
按钮形式 Button Type
空白: 基本型 Blank: Basic Type
R: 滚轮型 Roller Type
TB: 选择型旋钮 Selective Knob
LB: 加长型旋钮 Strengthened Knob
PB: 大圆型按钮 Large Round Button
PP: 平圆型按钮 Plat Round Button
PPL: 凸圆型按钮 Convex Round Button
EB: 带锁型按钮 With Lock Button

规格 | Specification

型号 Model	MSV86321	MSV86522	MSV98322
工作介质 Working Medium	经 40 微米过滤的空气 40 Micron Filtered Air		
位通数 Position and Way NO.	二位三通 Two-position Three-way	二位五通 Two-position Five-way	二位三通 Two-position Three-way
有效截面积 Effective Sectional Area	12mm ² (CV=0.67)	16mm ² (CV=0.89)	16mm ² (CV=0.89)
接口口径 Joint Pipe Bore	G1/8"	G1/4"	G1/4"
使用压力范围 Working-pressure Range	0~0.8MPa		
使用温度范围 Operating Temperature	0~60℃		

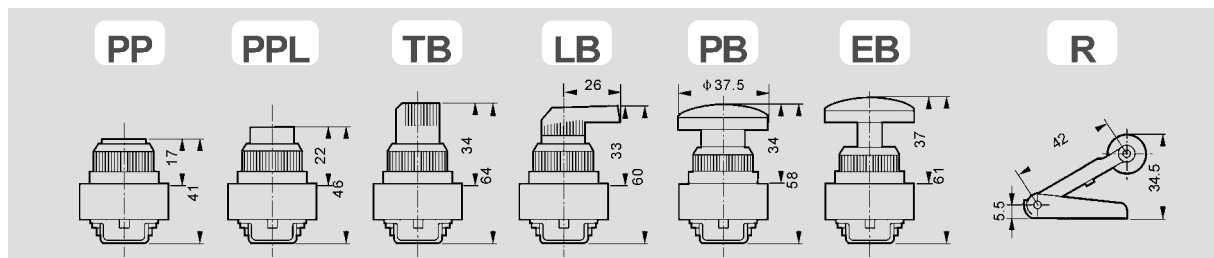
机械阀
Mechanical Valve

外形尺寸 | Overall Dimension



尺寸表 | Dimension Sheet

系列 Series	符号 / 型号 Symbol / Model	PP	PPL	LB	TB	EB	PB	R
MSV86522	A	114	119	133	136.5	134	131	107.5
	B	39.5	24.5	26.5	36.5	39.5	37.5	42.5
MSV98322	A	106	111	125	129.5	126	123	99.5
	B	39.5	24.5	26.5	36.5	39.5	37.5	42.5
MSV86321	A	66	71	85	88.5	86	83	59.5
	B	39.5	24.5	26.5	36.5	39.5	37.5	42.5

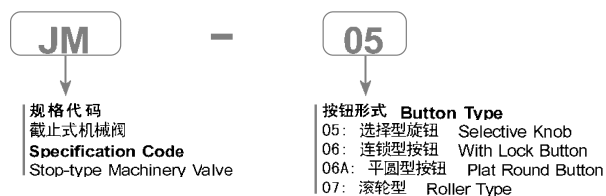


机械阀

Mechanical Valve



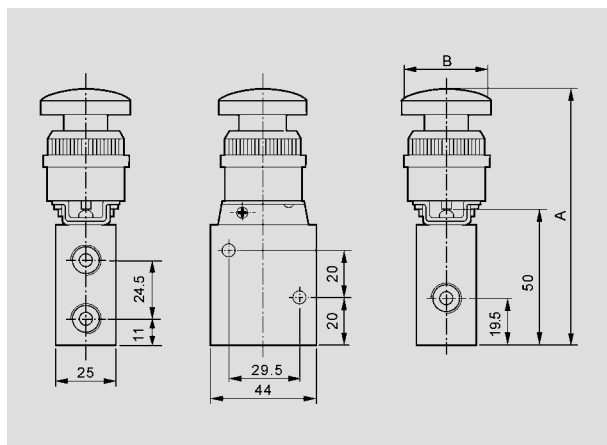
订购码 | Ordering Code



规格 | Specification

型号 Model	JM-05	JM-06	JM-06A	JM-07
工作介质 Working Medium	经40微米过滤的空气 40 Micron Filtered Air			
位通数 Position and Way NO.	二位三通 Two-position Three-way			
接口口径 Joint Pipe Bore	G1/4"			
使用压力范围 Working-pressure Range	0~0.8MPa			
使用温度范围 Operating Temperature	0~60℃			

外形尺寸 | Overall Dimension



尺寸表 | Dimension Sheet

型号 Model	A	B
JM-05	114	36.5
JM-06	111	39.5
JM-06A	96	39.5
JM-07	84.5	42.5