

手扳阀

Hand-pull Valve



订购码 | Ordering Code

4H	2	10	-	06	-	L
规格代码 4H:二(三)位五通 Specification Code 4H: Two(Three)-position Five-way	系列代号 2:200系列 3:300系列 4:400系列 Series Code 2: 200 Series 3: 300 Series 4: 400 Series	位置数 10:单头双位置 30:单头三位置 Motion Pattern 10: Single-head Double-position 30: Single-head Three-position		接管口径 Joint Pipe Bore 06: G1/8" 08: G1/4" 10: G3/8" 15: G1/2"		形式代号 空白:三位五通复位型 L:三位五通锁型 Type Code Blank:Three-position Five-way Reset Type L:Three-position Five-way Locking Type

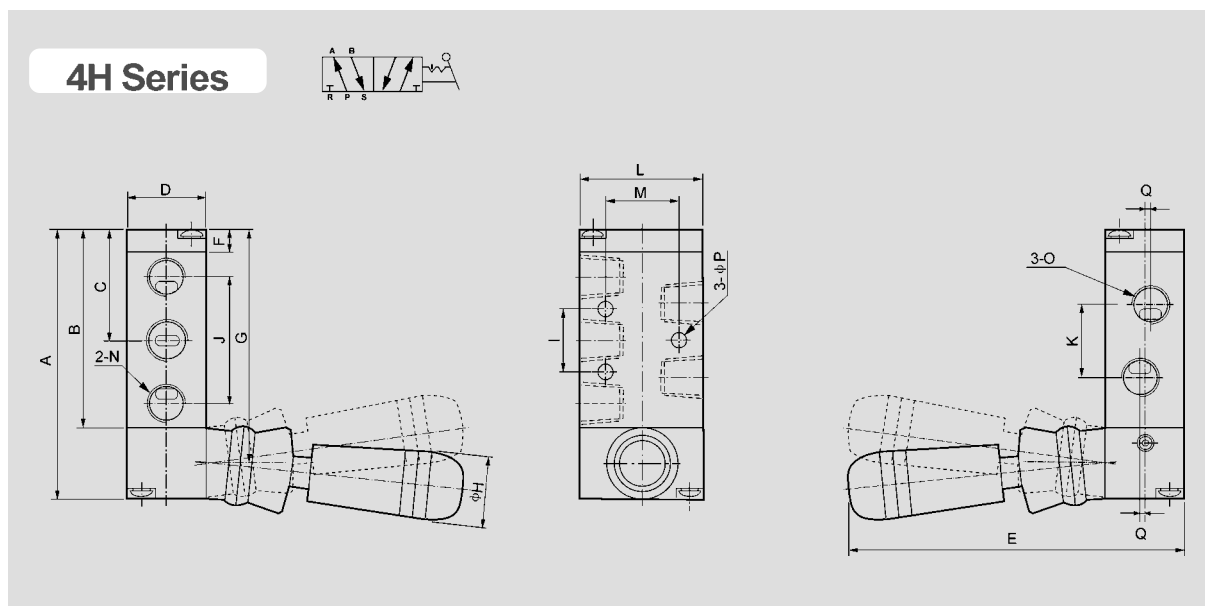
规格 | Specification

型号 Model	4H210-06	4H210-08	4H230-08	4H310-08	4H310-10	4H410-15
工作介质 Working Medium	经40微米过滤的空气 40 Micron Filtered Air					
动作方式 Motion Pattern	直动式 Direct Drive Type					
有效截面积 Effective Section Area	14mm ² (CV=0.78)	16mm ² (CV=0.89)	12mm ² (CV=0.67)	25mm ² (CV=1.4)	30mm ² (CV=1.68)	50mm ² (CV=2.79)
接口口径 Joint Pipe Bore	进气=出气=排气=G1/8" Air Inlet=Air Outlet=Exhaust =G1/8"	进气=出气=G1/4" 排气=G1/8" Air Inlet=Air Outlet=G1/4"		进气=出气=排气=G1/4" Air Inlet=Air Outlet=Exhaust =G1/4"	进气=出气=G1/8" Air Inlet=Air Outlet=G1/8"	进气=出气=排气=G1/2" Air Inlet=Air Outlet=Exhaust =G1/4"
使用压力范围 Working-pressure Range	0~0.8MPa					
使用温度范围 Operating Temperature Range	0~60℃					

手扳阀

Hand-pull Valve

外形尺寸 | Overall Dimension



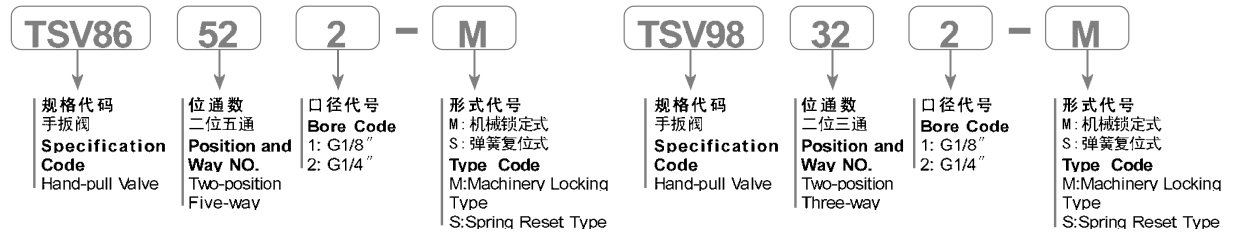
尺寸表 | Dimension Sheet

符号 / 型号 Symbol / Model	4H210-06	4H230-06	4H230-06 (自动复位) (Automatic Reset)	4H210-08	4H230-08L	4H230-08 (自动复位) (Automatic Reset)	4H310-08	4H310-10	4H410-15
A	76	95	95	76	95	92	92	126	
B	56.5	75.5	75.5	56.5	75.5	72.5	72.5	102	
C	31.5	31.5	31.5	31.5	31.5	40	40	55.5	
D	22	22	22	22	22	27	27	34	
E	95	95	95	95	95	100	100	110	
F	6.5	6.5	6.5	6.5	6.5	7.5	7.5	7.5	
G	66.5	85.5	85.5	66.5	85.5	82.5	82.5	114	
H	18	18	18	18	18	18	18	18	
I	20	20	20	20	20	24	24	28	
J	36	36	36	36	36	45	45	63	
K	21	21	21	21	21	24	24	36	
L	35	35	35	35	35	40	40	50	
M	21	21	21	21	21	27	27	35	
N	G1/8	G1/8	G1/8	G1/8	G1/8	G1/4	G1/4	G1/2	
O	G1/8	G1/8	G1/8	G1/4	G1/4	G1/4	G3/8	G1/2	
P	4.3	4.3	4.3	4.3	4.3	4.3	4.3	5.5	
Q	-	-	-	1.5	1.5	-	2	-	

手扳阀
Hand-pull Valve



订购码 | Ordering Code



规格 | Specification

型号 Model	TSV86522 M S	TSV98322 M S
工作介质 Working Medium	经40微米过滤的空气 40 Micron Filtered Air	
动作方式 Motion Pattern	直动式 Direct Drive Type	
有效截面积 Effective Sectional Area	18mm ² (CV=1.00)	
接口口径 Joint Pipe Bore	G1/4"	
使用压力范围 Working-pressure Range	0~0.8MPa	
使用温度范围 Operating Temperature	0~60℃	

外形尺寸 | Overall Dimension

