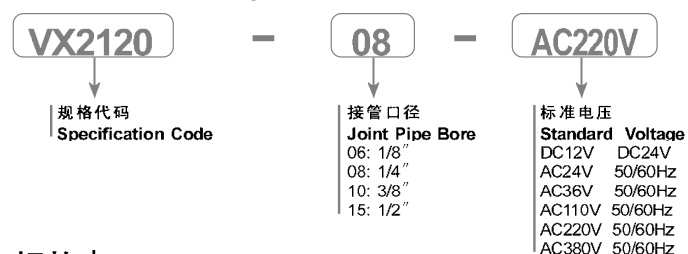


## VX 系列二位二通电磁阀

VX Series Two-position Two-way Solenoid Valve

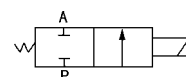


### 订购码 | Ordering Code



### 图形符号

Graphic Symbol



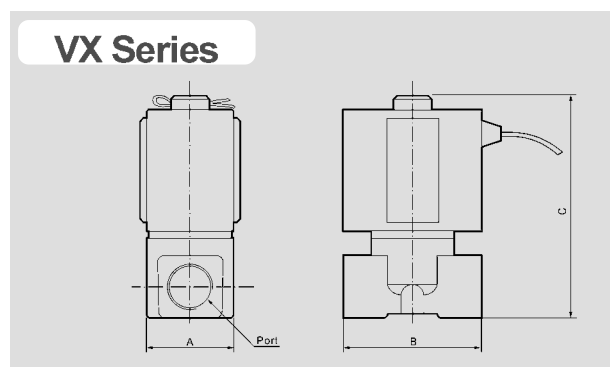
### 规格 | Specification

| 型号<br>Model                           | VX2120-06                    | VX2120-08 | VX2120-10 | VX2120-15 |
|---------------------------------------|------------------------------|-----------|-----------|-----------|
| 工作介质<br>Working Medium                | 空气、水、蒸汽<br>Air, Water, Steam |           |           |           |
| 动作方式<br>Motion Pattern                | 直动式<br>Direct Drive Type     |           |           |           |
| 型式<br>Type                            | 常闭型<br>Normal Close Type     |           |           |           |
| 流量孔径 mm<br>Aperture of Flow Rate      | 3                            |           | 13        |           |
| 接管口径<br>Joint Pipe Bore               | G1/8"                        | G1/4"     | G3/8"     | G1/2"     |
| 使用压力<br>Working-pressure              | 0~1.0MPa                     |           |           |           |
| 使用温度范围<br>Operation Temperature Range | -5~+150℃                     |           | -5~+80℃   |           |
| 油封材质<br>Material of Oil Seal          | VITON                        |           | NBR       |           |

\* 特殊电压及特殊规格请与厂方接洽 Please contact Factory for special voltage and Specification.

### 外形尺寸 | Overall Dimension

### 尺寸表 | Dimension Sheet



| 型号<br>Model | 口径 Bore | A  | B  | C   |
|-------------|---------|----|----|-----|
| VX2120-06   | 1/8     | 25 | 40 | 64  |
| VX2120-08   | 1/4     | 25 | 40 | 64  |
| VX2120-10   | 3/8     | 48 | 68 | 110 |
| VX2120-15   | 1/2     | 48 | 68 | 110 |