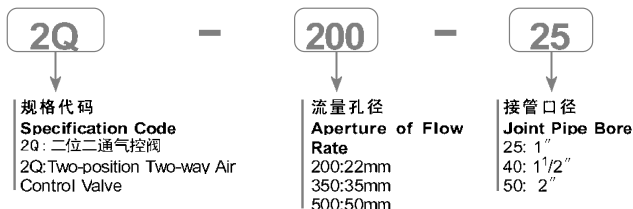


2Q 系列气控二通阀

2Q Series Air Control Two-Way Valve

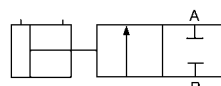


订购码 | Ordering Code



图形符号

Graphic Symbol

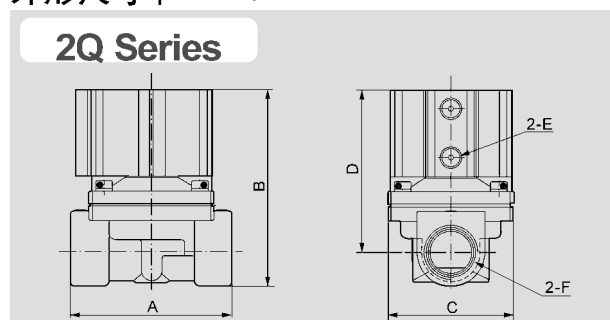


规格 | Specification

型号 Model	2Q200-25	2Q350-40	2Q500-50
工作介质 Working Medium	空气、水、油、瓦斯 Air, Water, Oil, Gas		
动作方式 Motion Pattern	直动式 Direct Drive Type		
流量孔径 mm Aperture of Flow Rate	22	35	50
CV 值 CV Value	12	24	48
接管口径 Joint Pipe Bore	G1"	G1 1/2"	G2"
使用介质粘滞度 Operation Fluid Viscosity	50 CST 以下 (Below)		
使用压力范围 Working Pressure Rang	0~0.7MPa		
最大耐压力 Max. Pressure Resistance	1.05MPa		
控制压力范围 Control Pressure Rang	0.3~0.6MPa		
工作温度范围 Operating Temperature Rang	-5~+100℃		
本体材质 Material of Body	黄铜 Brass		
油封材质 Material of Oil Seal	聚四氟乙烯 PTFE		
控制接管口径 Control Joint Pipe Bore	2-G1 1/8"	2-G1 1/4"	2-G1 1/4"

*特殊电压及特殊规格请与厂方接洽 Please contact Factory for special voltage and Specification.

外形尺寸 | Overall Dimension



尺寸表 | Dimension Sheet

型号 Model	A	B	C	D	E	F
2Q-25	99	116	57	95	G1/8"	G1"
2Q-40	123	146	95	116	G1/4"	G1 1/2"
2Q-50	170	155	118	114	G1/4"	G2"