

## 2L (US) 系列电磁阀

2L(US) Series Solenoid Valve



### 订购码 | Ordering Code

<b>2L</b>	<b>170</b>	-	<b>15</b>	-	<b>AC110V</b>
<b>规格代码</b> 2L: 蒸汽型二位二通电磁阀 <b>Specification Code</b> 2L: Steam type Two-position Two-way Solenoid Valve	<b>流量孔径</b> <b>Aperture of Flow Rate</b> 170: 17mm 200: 22mm 300: 30mm 500: 50mm		<b>接管口径</b> <b>Joint Pipe Bore</b> 10: 3/8" 15: 1/2" 20: 3/4" 25: 1" 35: 1 1/4" 40: 1 1/2" 50: 2"		<b>标准电压</b> <b>Standard Voltage</b> DC12V DC24V AC24V 50/60Hz AC36V 50/60Hz AC110V 50/60Hz AC220V 50/60Hz AC380V 50/60Hz

### 图形符号 | Graphic Symbol



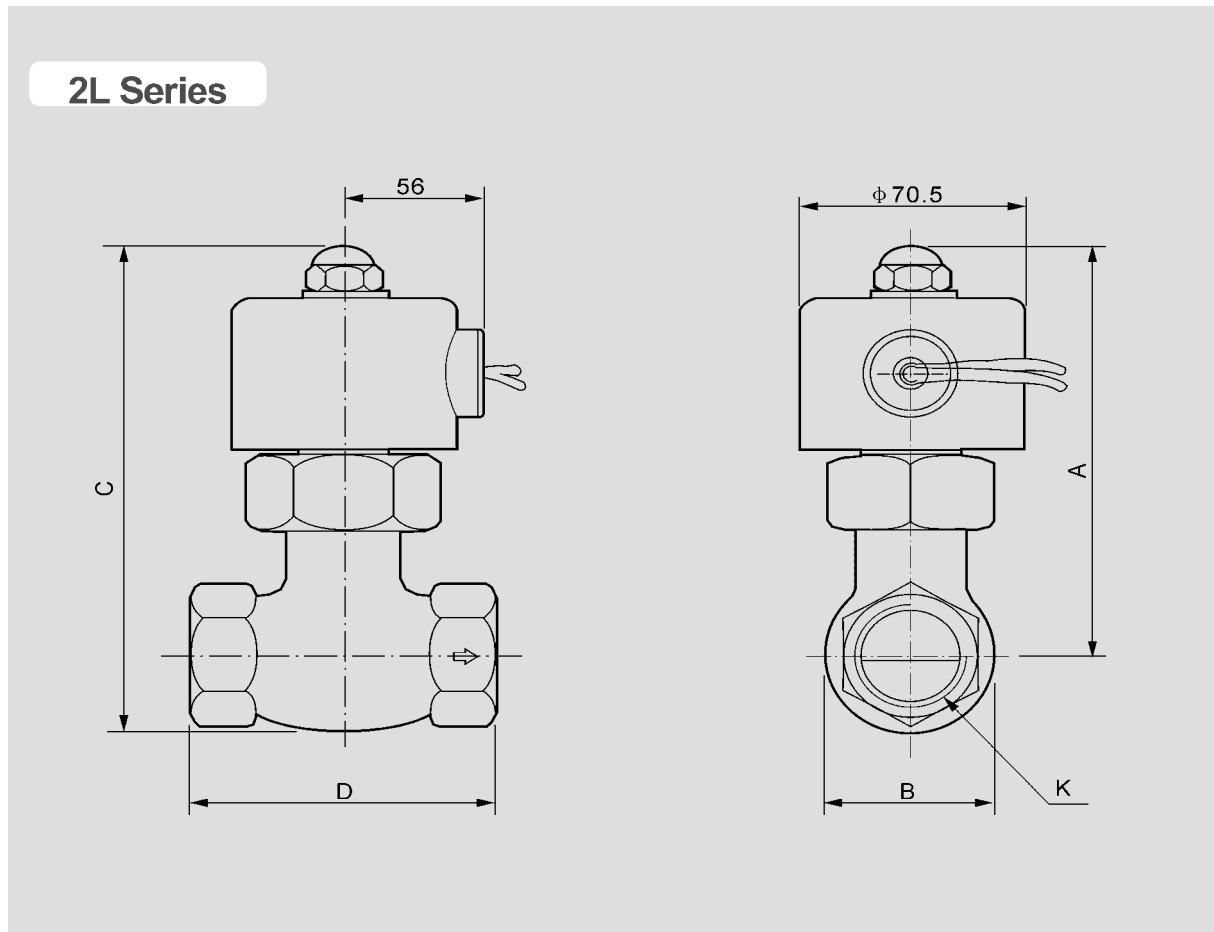
### 规格 | Specification

型号 Model	2L170-10	2L170-15	2L170-20	2L200-25	2L300-35	2L300-40	2L500-50
工作介质 Working Medium	空气、水、油、瓦斯 Air, Water, Oil, Gas						
动作方式 Motion Pattern	直动式 Direct Drive Type						
型式 Type	常闭型 Normal Close Type						
流量孔径 mm Aperture of Flow Rate	17		22		30		50
CV 值 CV Value	4.8		12		20		48
接管口径 Joint Pipe Bore	G3/8"	G1/2"	G3/4"	G1"	G1 1/4"	G1 1/2"	G2"
使用流体粘滞度 Operation Fluid Viscosity	20 CST 以下 (Below)						
使用压力 Working pressure	0.1~1.5MPa						
最大耐压力 Max. Pressure Resistance	2.25MPa						
工作温度范围 Operating Temperature	-5~+80℃						
使用电压范围 Range	±10%						
本体材质 Voltage Range	黄铜 Brass						
油封材质 Material of Body	聚四氟乙烯 PTFE						

\* 特殊电压及特殊规格请与厂方接洽 Please contact Factory for special voltage and Specification.

**2L(US) 系列电磁阀**  
2L(US) Series Solenoid Valve

外形尺寸 | Overall Dimension



尺寸表 | Dimension Sheet

型号 Model	A	B	C	D	K
2L170-10	125	42	146	82	G3/8
2L170-15	125	42	146	82	G1/2
2L170-20	125	42	146	82	G3/4
2L200-25	136	52	162	90.5	G1
2L300-35	148	74	185	111	G1 1/4
2L300-40	148	74	185	111	G1 1/2
2L500-50	176	86	223	163	G2