

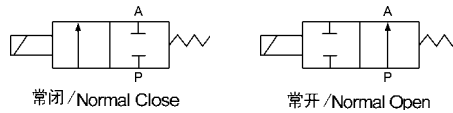
2W(UW)系列电磁阀(大口径) 2W(UW) Series Solenoid Valve (Large Aperture)



订购码 | Ordering Code

2W	160	-	15	NO	AC110V	V
↓	↓		↓	↓	↓	↓
规格代码 2W: 二位二通电磁阀(直动式) 2S: 不锈钢二位二通电磁阀(直动式) Specification Code 2W: two position two way solenoid valve (direct drive type) 2S: stainless steel two position two way solenoid valve (direct drive type)	流量孔径 Aperture of Flow Rate 160: 16mm 200: 20mm 250: 25mm 350: 35mm 400: 40mm 500: 50mm		接管口径 Joint Pipe Bore 10: 3/8" 15: 1/2" 20: 3/4" 25: 1" 35: 1 1/4" 40: 1 1/2" 50: 2"	初始状态 空白: 常闭型 NO: 常开型 Initial Estate Blank: Normal Close NO: Normal Open	标准电压 Standard Voltage DC12V AC24V 50/60Hz AC36V 50/60Hz AC110V 50/60Hz AC220V 50/60Hz AC380V 50/60Hz	油封代号 空白: NBR V: VITON(高温用) Oil Seal Code Blank: NBR V: VITON(for high-temperature)

图形符号 | Graphic Symbol



规格 | Specification

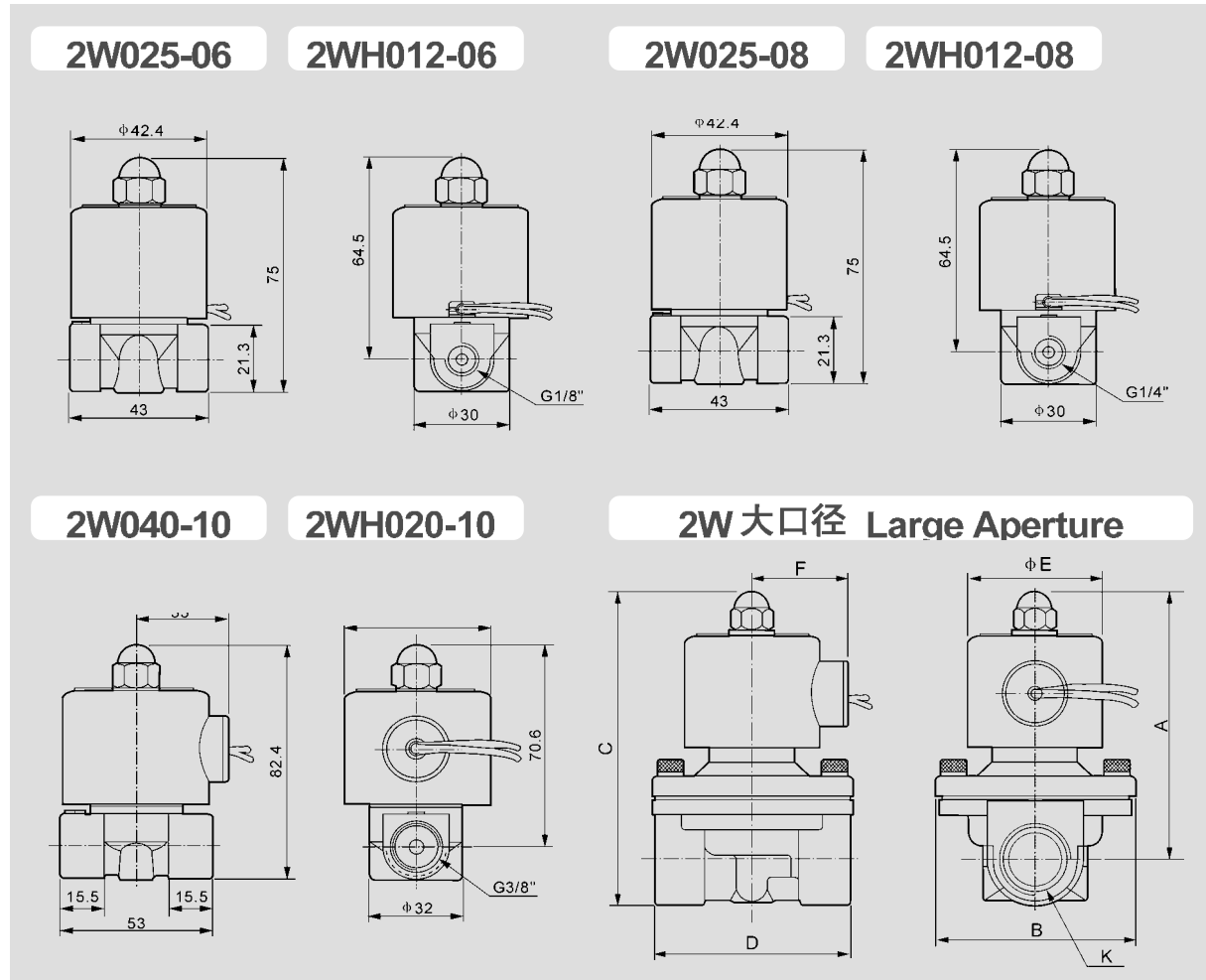
型号 Model	2W160-10 2S160-10	2W160-15 2S160-15	2W200-20 2S200-20	2W250-25 2S250-25	2W350-35 2S350-35	2W400-40 2S400-40	2W500-50 2S500-50
工作介质 Working Medium	空气、水、油、瓦斯 Air, Water, Oil, Gas						
动作方式 Motion Pattern	直动式 Direct Drive Type						
型式 Type	常闭型 Normal Close Type; 常开型 Normal Open Type						
流量孔径 mm Aperture of Flow Rate	16	16	20	25	35	40	50
CV值 CV Value	4.8	4.8	7.6	12	24	29	48
接管口径 Joint Pipe Bore	G3/8"	G1/2"	G3/4"	G1"	G1 1/4"	G1 1/2"	G2"
使用流体粘滞度 Operation Fluid Viscosity	20 CST以下 (Below)						
使用压力 Working-pressure	水 Water: 0~0.5MPa; 空气 Air: 0~0.7MPa; 油 Oil: 0~0.5MPa; 瓦斯 Gas: 0~0.7MPa;						
最大耐压力 Max. Pressure Resistance	1.05MPa						
工作温度范围 Operating Temperature	-5~+80°C						
使用电压范围 Range	±10%						
本体材质 Voltage Range	2W: 黄铜 Brass; 2S: 不锈钢 Stainless Steel						
油封材质 Material of Body	NBR, EPDM 或 VITON / NBR, EPDM or VITON						

*特殊电压及特殊规格请与厂方接洽 Please contact Factory for special voltage and Specification.

2W(UW)系列电磁阀(大口径)

2W(UW) Series Solenoid Valve (Large Aperture)

外形尺寸 | Overall Dimension



尺寸表 | Dimension Sheet

型号 Model	A	B	C	D	E	F	K
2W160-10	101.5	57	117	69	50	36	G3/8
2W160-15	101.5	57	117	69	50	36	G1/2
2W200-20	107	57	123.5	73	50	36	G3/4
2W250-25	111.5	73.5	134.5	99	50	36	G1
2W350-35	142	95	172	123	70.5	56	G11/4
2W400-40	142	95	172	123	70.5	56	G11/2
2W500-50	172	123	209	168	70.5	56	G2