

4V200 系列电磁阀、气控阀

4V200 Series Solenoid Valve, Pneumatic Control Valve



订购码 | Ordering Code

4V	2	10	-	08	B	AC220V	-	W
规格代码 4V: 二(三)位五通电磁阀 4A: 二(三)位五通气控阀 3V: 二位三通电磁阀 3A: 二位三通气控阀 Specification Code 4V: Two (Three)-position Five-way Solenoid Valve 4A: Two (Three)-position Five-way Pneumatic Control Valve 3V: Two-position Three-way Solenoid Valve 3A: Two-position Three-way Pneumatic Control Valve	系列代码 200 系列 Series Code 200 Series	线圈及位数 10: 单头双位置 20: 双头双位置 30C: 双头三位置封闭型 30E: 双头三位置排气型 30P: 双头三位置压力型 Coil and Places 10: Single-head Double-position 20: Double-head Double-position 30C: Double-head Three-position Close Type 30E: Double-head Three-position Exhaust Type 30P: Double-head Three-position Pressure Type	接管口径 Joint Pipe Bore 06: 1/8" 08: 1/4"	接管形式及初始状态 空白: 管接式 B: 二位五通板接式 三位五通板接式 NC: 二位三通常闭型 NO: 二位三通常开型 Joint Pipe Form and Initial State Blank: Pipe Connection Type B: Two-position Five-way Plate Connection Type Three-position Five-way Plate Connection Type NC: Two-position Three-way Normal Close Type NO: Two-position Three-way Normal Open Type	标准电压 Standard Voltage DC12V DC24V AC24V 50Hz/60Hz AC110V 50Hz/60Hz AC220V 50Hz/60Hz AC380V 50Hz/60Hz	接线形式 空白: 标准端子式 LD: 棕色带灯端子式 LD: 白色带灯端子式 W: 引线式 Wiring Form Blank: standard Connector LD: Brown with Lighting Connector LD: White with Lighting Connector W: Lead Wire Type		

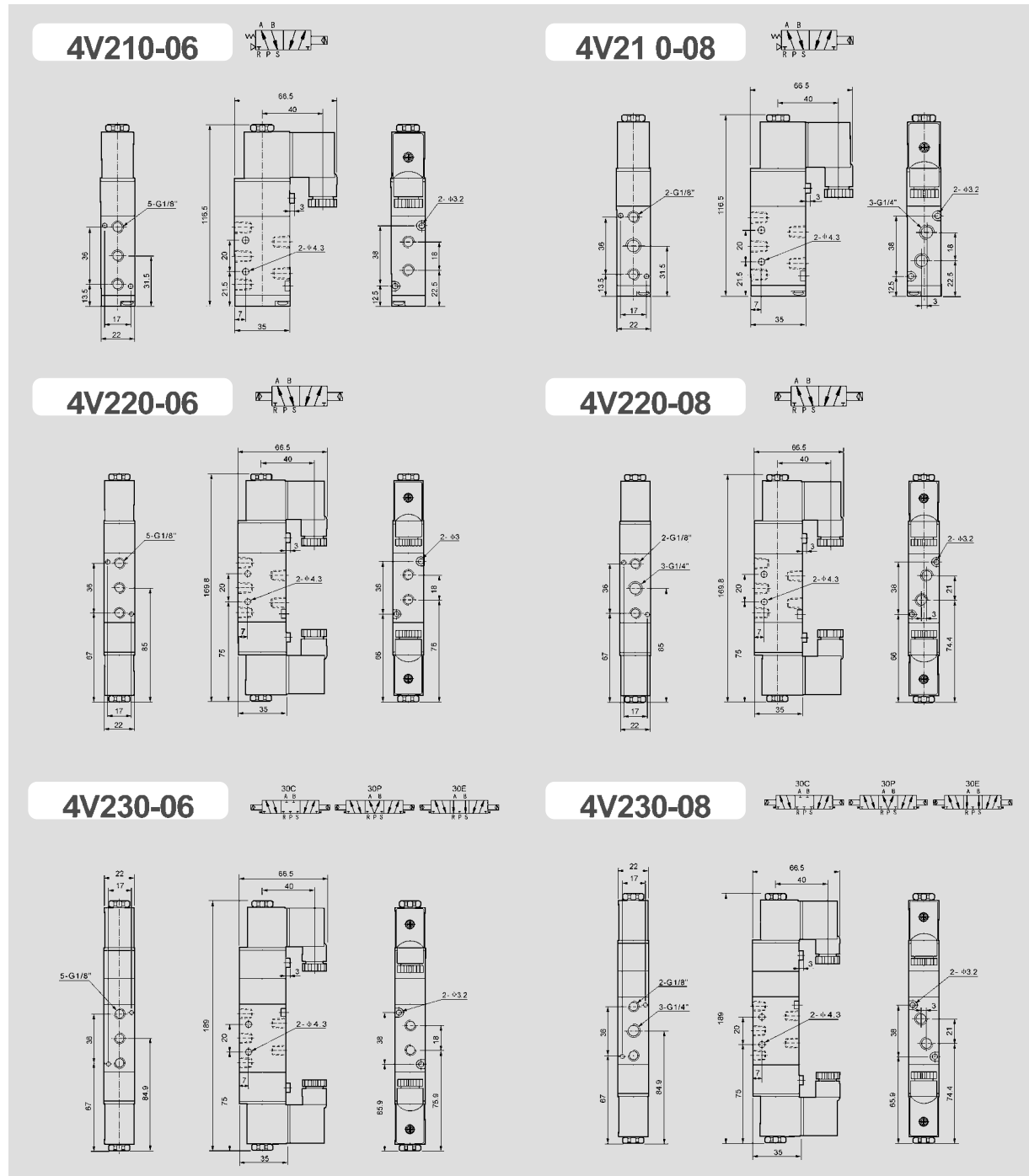
规格 | Specification

型号 Model	4V210-06 4V220-06	4V230C-06 4V230E-06 4V230P-06	4V210-08 4V220-08	4V230C-08 4V230E-08 4V230P-08
位通数 Position and Way NO.	二位五通 Two-position Five-way	三位五通 Three-position Five-way	二位五通 Two-position Five-way	三位五通 Three-position Five-way
有效截面积 Effective Sectional Area	14mm ² (CV=0.78)	12mm ² (CV=0.67)	16mm ² (CV=0.89)	12mm ² (CV=0.67)
型号 Model	3V210-06 3V220-06	3A210-06 3A220-06	3V210-08 3V220-08	3A210-08 3A220-08
位通数 Position and Way NO.	二位三通 Two-position Three-way		二位三通 Two-position Three-way	
有效截面积 Effective Sectional Area	14mm ² (CV=0.78)		16mm ² (CV=0.89)	
接管口径 Joint Pipe Bore	进气=排气=1/8" Air Inlet=Air Outlet=Exhaust=G1/8"		进气=排气=1/4" 排气=1/8" Air Inlet=Air Outlet=G1/4" Exhaust=G1/8"	
工作介质 Working Medium	经 40 微米过滤的空气 40 Micron Filtered Air			
动作方式 Motion Pattern	内部先导式 Inner Guide Type			
使用压力 Working pressure	0.15~0.8MPa			
最大耐压力 Max. Pressure Resistance	1.2MPa			
工作温度 Operating Temperature	5~50℃			
电压范围 Voltage Range	± 10%			
耗电量 Power Consumption	AC: 4.5VA DC: 3W			
绝缘性及防护等级 Insulation & Protection Class	F 级 IP65 F Class IP65			
接线形式 Wiring Form	出线式或端子式 Lead Wire or Connector type			
最高动作频率 Highest Action Frequency	每秒五次 5 Cycle / Sec			
最短励磁时间 Shortest Excitation Time	0.05 秒 0.05 Second			

4V200 系列电磁阀、气控阀

4V200 Series Solenoid Valve, Pneumatic Control Valve

外形尺寸 | Overall Dimension

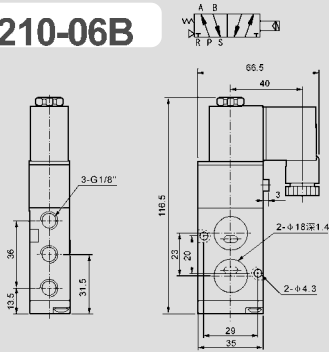


4V200 系列电磁阀、气控阀

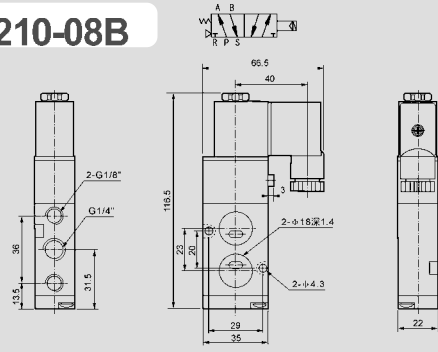
4V200 Series Solenoid Valve, Pneumatic Control Valve

外形尺寸 | Overall Dimension

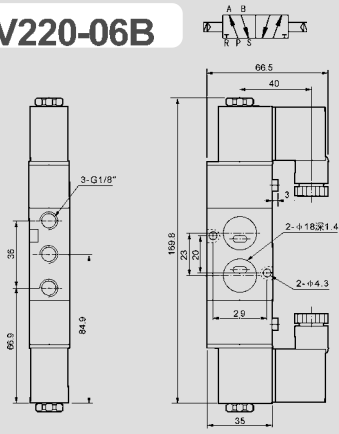
4V210-06B



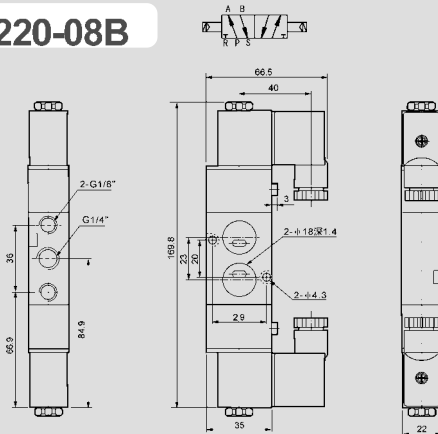
4V210-08B



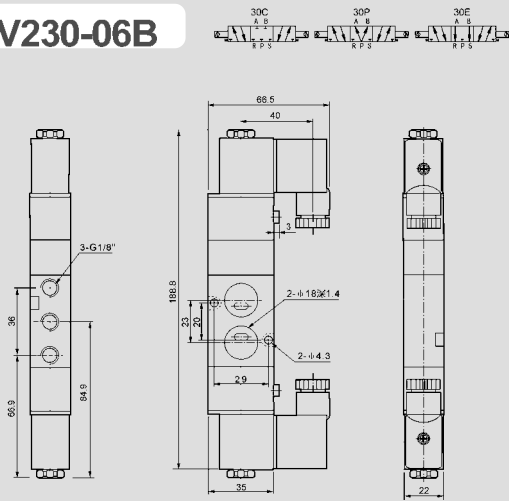
4V220-06B



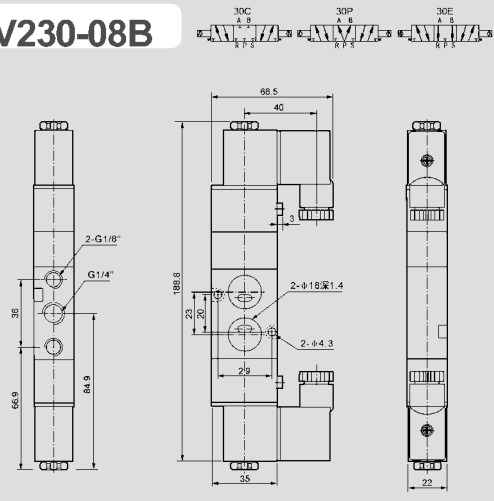
4V220-08B



4V230-06B



4V230-08B

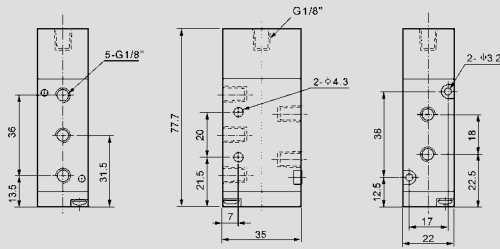


4V200 系列电磁阀、气控阀

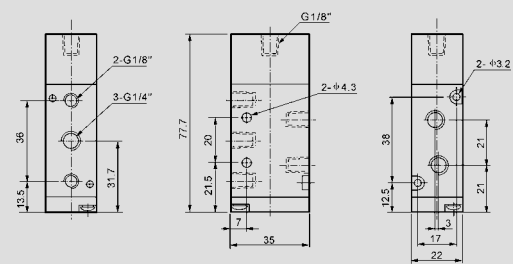
4V200 Series Solenoid Valve, Pneumatic Control Valve

外形尺寸 | Overall Dimension

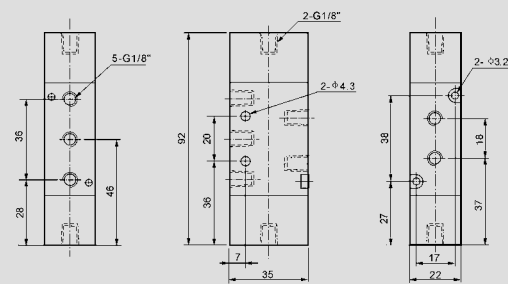
4A210-06



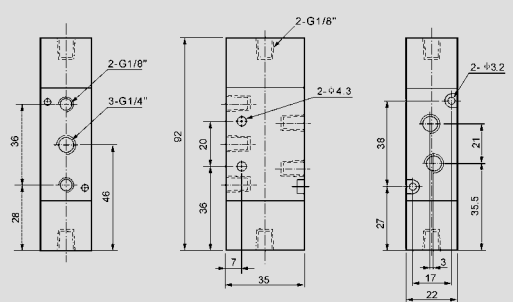
4A210-08



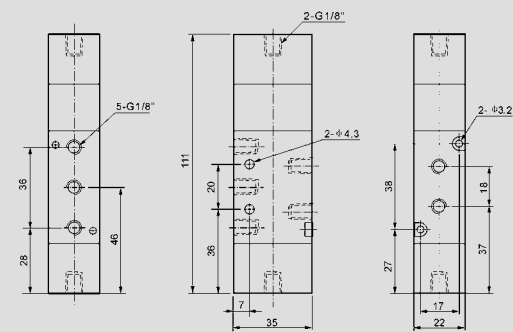
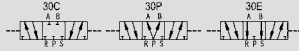
4A220-06



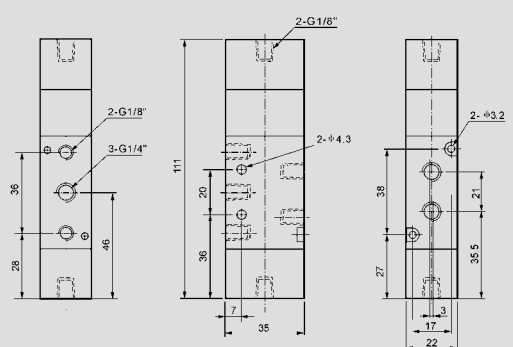
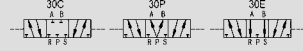
4A220-08



4A230-06



4A230-08



4V200 系列电磁阀、气控阀

4V200 Series Solenoid Valve, Pneumatic Control Valve

外形尺寸 | Overall Dimension

