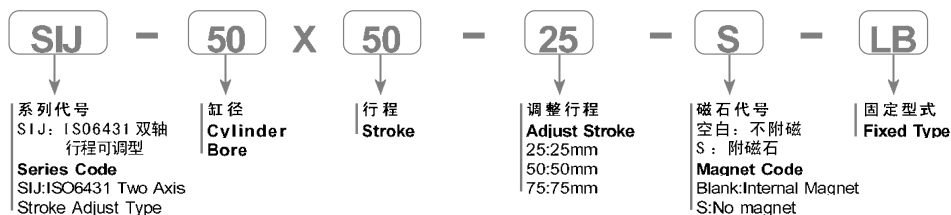


SIJ 系列 ISO6431 标准气缸

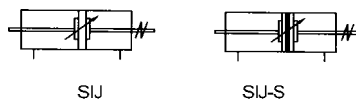
SIJ Series ISO6431 Standard Cylinder



订购码 | Ordering Code



图形符号 | Graphic Symbol



气缸理论出力表 | Cylinder theory output

| 气缸内径 Cylinder Inside Diameter | 活塞杆外径 External Diameter of Piston Rod | 动作型式 Motion Pattern | 受压面积 Compression Area (cm ²) | 空气压力 Air Pressure (Kgf/cm ²) | | | | | | | | | |
|-------------------------------------|---|------------------------|---|--|--------|--------|--------|---------|---------|---------|---------|---------|---------|
| | | | | 1 | 2 | 3 | 4 | 5 | 6 | 7 | 8 | 9 | |
| 32 | 12 | 复动型 Double Action | 压侧 Press Side | 8.04 | 8.04 | 16.08 | 24.12 | 32.16 | 40.20 | 48.24 | 56.28 | 64.32 | 72.36 |
| | | | 拉侧 Pull Side | 6.90 | 6.90 | 13.80 | 20.70 | 27.60 | 34.50 | 41.40 | 48.30 | 55.20 | 62.10 |
| 40 | 16 | 复动型 Double Action | 压侧 Press Side | 12.56 | 12.56 | 25.12 | 37.68 | 50.24 | 62.80 | 75.36 | 87.92 | 100.24 | 113.04 |
| | | | 拉侧 Pull Side | 10.55 | 10.55 | 21.10 | 31.65 | 42.20 | 52.75 | 63.30 | 73.85 | 84.40 | 94.95 |
| 50 | 20 | 复动型 Double Action | 压侧 Press Side | 19.63 | 19.63 | 39.26 | 58.89 | 78.52 | 98.15 | 117.78 | 137.41 | 157.04 | 176.67 |
| | | | 拉侧 Pull Side | 16.49 | 16.49 | 32.98 | 49.47 | 65.96 | 82.45 | 98.94 | 115.43 | 131.92 | 148.41 |
| 63 | 20 | 复动型 Double Action | 压侧 Press Side | 31.17 | 31.17 | 62.34 | 93.51 | 124.68 | 155.85 | 187.02 | 218.19 | 249.36 | 280.53 |
| | | | 拉侧 Pull Side | 28.03 | 28.03 | 56.06 | 84.09 | 112.12 | 140.15 | 168.18 | 196.21 | 224.24 | 252.27 |
| 80 | 25 | 复动型 Double Action | 压侧 Press Side | 50.26 | 50.26 | 100.52 | 150.78 | 201.04 | 251.30 | 301.56 | 351.82 | 402.08 | 452.34 |
| | | | 拉侧 Pull Side | 45.36 | 45.36 | 90.72 | 136.08 | 181.44 | 226.80 | 272.16 | 317.52 | 362.88 | 408.24 |
| 100 | 25 | 复动型 Double Action | 压侧 Press Side | 78.53 | 78.53 | 157.06 | 235.59 | 314.12 | 392.65 | 471.18 | 549.71 | 628.24 | 706.77 |
| | | | 拉侧 Pull Side | 71.47 | 71.47 | 142.94 | 214.41 | 285.88 | 357.35 | 428.82 | 500.29 | 571.76 | 643.23 |
| 125 | 32 | 复动型 Double Action | 压侧 Press Side | 122.72 | 122.72 | 245.44 | 368.16 | 490.88 | 613.60 | 736.32 | 859.04 | 981.76 | 1104.48 |
| | | | 拉侧 Pull Side | 114.68 | 114.68 | 229.36 | 344.04 | 458.72 | 573.40 | 688.08 | 802.76 | 917.44 | 1032.12 |
| 160 | 40 | 复动型 Double Action | 压侧 Press Side | 201.06 | 201.06 | 402.12 | 603.18 | 804.24 | 1005.30 | 1206.36 | 1407.42 | 1608.48 | 1809.54 |
| | | | 拉侧 Pull Side | 188.49 | 188.49 | 376.98 | 565.47 | 753.96 | 942.45 | 1130.94 | 1319.43 | 1507.92 | 1696.41 |
| 200 | 40 | 复动型 Double Action | 压侧 Press Side | 314.16 | 314.16 | 628.32 | 942.48 | 1256.64 | 1570.80 | 1884.96 | 2199.12 | 2513.28 | 2827.44 |
| | | | 拉侧 Pull Side | 301.57 | 301.57 | 603.14 | 904.71 | 1206.28 | 1507.85 | 1809.42 | 2110.99 | 2412.56 | 2714.13 |

SIJ 系列 ISO6431 标准气缸

SIJ Series ISO6431 Standard Cylinder

规格 | Specification

| | | | | | | | | | |
|--|--|-------|-------|----|----|-------|-----|-------|-----|
| 内径 Bore (mm) | 32 | 40 | 50 | 63 | 80 | 100 | 125 | 160 | 200 |
| 动作型式 Motion Pattern | 复动型 Double Action Type | | | | | | | | |
| 工作介质 Working Medium | 空气 Air | | | | | | | | |
| 固定型式 Fixed Type | 基本型/Basic Type, FA型/Type, LB型/Type, TC型/Type, TC-M型/Type | | | | | | | | |
| 使用压力范围 Working Pressure Range | 0.1~0.9MPa | | | | | | | | |
| 保证耐压力 N. Proof Pressure | 1.35MPa | | | | | | | | |
| 使用温度范围℃ Operating Temperature Range | 0~70℃ | | | | | | | | |
| 使用速度范围 Operating Speed Range | 30~800 mm/s | | | | | | | | |
| 缓冲型式 Buffer Type | 可调缓冲 Adjust Buffer | | | | | | | | |
| 缓冲行程 Buffer Stroke | 24 | | | | | | 32 | | |
| 接管口径 Joint Pipe Bore | G1/8" | G1/4" | G3/8" | | | G1/2" | | G3/4" | |

行程 | Stroke

| 内径 Bore (mm) | 标准行程 Standard Stroke | 最大行程 Max. Stroke | 容许行程 Permissible Stroke |
|-----------------|--|---------------------|----------------------------|
| 32 | 25 50 75 80 100 125 150 160 175 200 250 300 350 400 450 500 | 1000 | 2000 |
| 40 | 25 50 75 80 100 125 150 160 175 200 250 300 350 400 450 500 600 700 800 | 1200 | 2000 |
| 50 | 25 50 75 80 100 125 150 160 175 200 250 300 350 400 450 500 600 700 800 900 1000 | 1200 | 2000 |
| 63 | 25 50 75 80 100 125 150 160 175 200 250 300 350 400 450 500 600 700 800 900 1000 | 1500 | 2000 |
| 80 | 25 50 75 80 100 125 150 160 175 200 250 300 350 400 450 500 600 700 800 900 1000 | 1500 | 2000 |
| 100 | 25 50 75 80 100 125 150 160 175 200 250 300 350 400 450 500 600 700 800 900 1000 | 1500 | 2000 |
| 125 | 25 50 75 80 100 125 150 160 175 200 250 300 350 400 450 500 600 700 800 900 1000 | 1500 | 2000 |
| 160 | 25 50 75 80 100 125 150 160 175 200 250 300 350 400 450 500 600 700 800 900 1000 | 1500 | 2000 |
| 200 | 25 50 75 80 100 125 150 160 175 200 250 300 350 400 450 500 600 700 800 900 1000 | 1500 | 2000 |

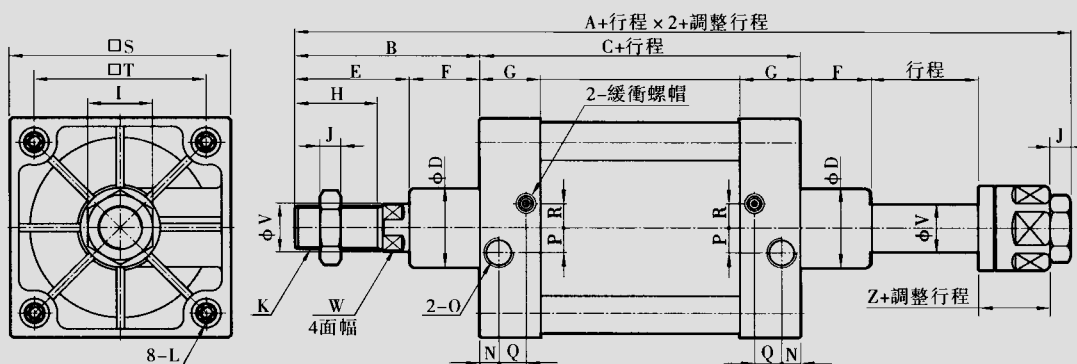
特殊行程请与本公司联系。

SIJ 系列 ISO6431 标准气缸

SIJ Series ISO6431 Standard Cylinder

外形尺寸 | Overall Dimension

Φ 32~ Φ 200



| 缸径 / 符号 Bore/Symbol | A | B | C | D | E | F | G | H | I | J | K | L |
|------------------------|-------|-----|-----|----|-----|----|----|----|----|------|------------|-----|
| 32 | 187 | 48 | 94 | 30 | 32 | 16 | 28 | 22 | 17 | 6 | M10 × 1.25 | M6 |
| 40 | 207 | 54 | 105 | 35 | 36 | 18 | 29 | 24 | 19 | 7 | M12 × 1.25 | M6 |
| 50 | 233 | 69 | 106 | 40 | 44 | 25 | 31 | 32 | 24 | 8 | M16 × 1.5 | M8 |
| 63 | 250 | 69 | 121 | 45 | 44 | 25 | 32 | 32 | 24 | 8 | M16 × 1.5 | M8 |
| 80 | 286 | 86 | 128 | 45 | 56 | 30 | 35 | 40 | 30 | 10 | M20 × 1.5 | M10 |
| 100 | 308 | 91 | 138 | 55 | 59 | 32 | 36 | 40 | 30 | 10 | M20 × 1.5 | M10 |
| 125 | 372.5 | 119 | 160 | 60 | 74 | 45 | 46 | 54 | 41 | 13.5 | M27 × 2 | M12 |
| 160 | 448 | 152 | 180 | 65 | 94 | 58 | 50 | 72 | 55 | 18 | M36 × 2 | M16 |
| 200 | 472 | 167 | 180 | 75 | 107 | 60 | 50 | 72 | 55 | 18 | M36 × 2 | M16 |

| 缸径 / 符号 Bore/Symbol | N | O | P | Q | R | S | T | V | W | Z |
|------------------------|------|-----|------|-----|------|-----|------|----|----|----|
| 32 | 13.5 | 1/8 | 4 | 7.5 | 7 | 47 | 32.5 | 12 | 10 | 21 |
| 40 | 16 | 1/4 | 6 | 9.5 | 9 | 53 | 38 | 16 | 13 | 21 |
| 50 | 18.5 | 1/4 | 8.5 | 6.7 | 9 | 65 | 46.5 | 20 | 17 | 23 |
| 63 | 19 | 3/8 | 6 | 7.7 | 9 | 75 | 56.5 | 20 | 17 | 23 |
| 80 | 19 | 3/8 | 10 | 5 | 13.5 | 95 | 72 | 25 | 22 | 29 |
| 100 | 18 | 1/2 | 12.5 | 10 | 14.5 | 115 | 89 | 25 | 22 | 29 |
| 125 | 23 | 1/2 | 14 | 12 | 14 | 140 | 110 | 32 | 27 | 35 |
| 160 | 25 | 3/4 | 15 | 12 | 20 | 180 | 140 | 40 | 36 | 40 |
| 200 | 25 | 3/4 | 15 | 12 | 20 | 220 | 175 | 40 | 36 | 40 |